



ST. MARK CROSSINGS



St. Mark Lutheran Church

141 Kruger St., Wheeling, WV

304-242-3466

R. Paul Schafer, Pastor
Grace Kennedy, Secretary

Leslie Garrett, Organist/Dir. Of Music
Amy Hinkelman, Dir. Youth/Christian Ed.

VOL. XVIII, NO. 1

E-Mail: stmark@wvdsi.net

JANUARY 2010

E-Mail: stmark@wvdsi.net

www.stmarkwheeling.org

OUR MISSION: As disciples of Christ, St. Mark ministers that all may know the joy of Christ's love through ministries of Welcoming, Growing, and Caring.

THE BLESSED TIME OF EPIPHANY



It's easy for us to forget all about the Epiphany season after the rush of the Christmas holiday. But, nevertheless, Epiphany greets us beginning on January 6th of this year. What should Epiphany mean for us? Should it be only a time to re-charge our batteries after the frantic pace of Christmas? Or should there be more to this season which is sometimes but an after-thought?

Well, Epiphany does have some important themes of its own for us to consider. I'm going to deal mainly with 3 of them in this article. First, the name "Epiphany" is a clue as to its meaning. The word means "manifestation" and it is the manifestation or appearance of God in Christ that takes center stage in this season. God is not aloof and detached from our lives and from the history of the world. No, God is a God of manifestation. God is made manifest in the midst of God's beloved creation. And this manifestation reaches its fullness in the person of Jesus Christ and in the Church community which is the Body of Christ. This manifestation of God in Christ is what gives our lives the highest meaning and purpose and what renews us in joy for ministry on a daily basis. Attached to this theme of God's manifestation in Christ is the theme of Baptism. The first Sunday after the Epiphany will be the celebration of Jesus' Baptism. In our Baptisms we are joined to Jesus Christ along with his life, ministry, death, and resurrection. God's manifestation in Christ, then, continues in our lives and in our communal life together through the gift of Baptism.

A second Epiphany theme is the theme of light. We hear the words from the Scriptures, "the light shines in the darkness, and the darkness has not overcome it." Darkness is often an image in the Bible for separation from the life-giving purpose of God. People who walk in darkness are people who are suffering from the bondage to sin and all the burdens this bondage brings to life. All of us know something about living in darkness and in bondage to sin. Yet, we are reminded during Epiphany that the darkness of sin and despair does not have the last word. God's light shines in the midst of the darkness and the darkness cannot overcome it. God has the final word of forgiveness and resurrection life!

(continued on page 2)

(Continued from page 1)

One more theme of Epiphany for us to consider is the theme of global mission. From the 4th century on, Epiphany was associated with the visit of the Magi (sometimes called the wise men) to see the child, Jesus as presented in Matthew's Gospel. These pagan visitors with little or no connection to the story of Israel were nevertheless brought to worship the Messiah (Christ) Child. This story reminds us that God's redemptive purpose embraces all in our world without exception. This means that our mission of compassion in Christ's name must extend beyond those close to home and reach out even to the ends of the earth.

These are some of the themes of the Epiphany season. I wish you all joy in the love and mission of Christ in these times and throughout this New Year that is before us!

-Pastor Paul



BOOK REVIEW

The next book review meeting will be held on **Tuesday, January 26th at 10:00 a.m. in the Conference Room** (downstairs across from the side door of the chapel). The book we will be reflecting on this time is "Have a Little Faith" by Mitch Albom. This book is based on the real stories of two clergymen from different faith traditions (Jewish and Christian) whose lives intersect with the author's in unexpected ways. The book is easy to read and yet very profound in its message. We hope you can join us on the 26th.

MARTIN LUTHER KING JR. WALK

Our youth and all others who are interested will once again be participating in the Martin Luther King, Jr. walk for peace and justice this year. This event begins from 2 locations (Temple Shalom and Wheeling Park) and ends at the Mary and Joseph Chapel at Wheeling Jesuit University where a worship service will be held followed by a buffet dinner in the University dining room. The walk will be held on **Sunday, January 17th beginning at 1:00 p.m.** Everyone is invited to participate. Stay tuned for more details to be released pertaining to our own St. Mark group plans.



ST. MARK E-NEWS



ARE YOU RECEIVING the St. Mark E-news? E-news consists of the weekly bulletin announcements sent out via email on Saturdays, and other special announcements as needed. If you are not receiving these, and would like to sign up, please send an email to the church office at stmark@wvds1.net with your first and last name in the body of the email. Also, remember that should your email address change, please make the church office aware.

WEDNESDAY EVENING WORSHIP

Don't forget our Wednesday Evening Worship each week at **6:30 p.m.** in the upstairs sanctuary. Through the season of Epiphany we will be using the "Holden Evening Prayer Service" by Marty Haugen. Then, as we transition into Lent we will go back to our usual format, tailored for the penitential emphasis of the Lenten season. The Wednesday service is about 45 minutes in length. It includes both traditional and contemporary music, a text, sermon, prayers, and time for quiet reflection. Please join us as you are able to do so.



WEDNESDAY WEATHER WORSHIP POLICY— Worship services on Wednesday evening **will continue** throughout the winter months. However, regarding weather cancellations the new policy is as follows: **When Ohio County Schools are cancelled or have an early dismissal, Wednesday worship will automatically be cancelled. When school is off, so is Wednesday worship. When bad weather hits unexpectedly or looks threatening, and schools remain in session, we will call a list of people who attend Wednesday worship on a regular or semi-regular basis to announce cancellation. If you would like to have your name added to the Wednesday cancellation call list, please call or e-mail the church office. Thanks.**

THANK YOU



Pastor Paul, Sherri, & Robert would like to say a big thank you to the council and congregation for the bonus received and the many expressions of generosity and kindness that were extended during the Advent and Christmas seasons. It really warms our hearts!

CROSSROADS
St. Mark's Youth in Ministry

MONDAY EVENING YOUTH GATHERINGS

St. Mark's youth (6th grade-12th grade) are invited to join Gary Roesser, Sr. on Jan 4 and Jan. 18 for the Monday evening youth gatherings. Please bring your dinner with you. Fellowship, fun and discussion begins at 5:30pm and runs until 7:30pm.



Save The Date
LYO Winter Event

February 26– 28th 2010

Skiing, tubing, boarding, hiking, bowling, fellowship.

Camp Hickory in Garrett Co. MD

Registration \$40

(includes all meals and lodging)

Also check out the LYO website @ www.wv-wmdlyo.com

DINNER AND A MOVIE

On **Sunday, January 10th**, our youth groups will once again have a “dinner and a movie” event after 10:15 worship. The dinner will be pizza (always a favorite) and the movies will be, “Willy Wonka and the Chocolate Factory” for the junior youth group (elementary ages) and “Evan Almighty” for the senior youth group (6th – 12th grades). All youth and their friends are welcome!



Happy New Year ♪ Happy New Year ♪ Happy New Year

INSTALLATION OF CHURCH COUNCIL

Sunday, January 3rd, will be the installation of our congregation council for this year at both the **8:00 and 10:15 worship services**. We are so very thankful for all who have served and continue to serve in this vital ministry! Special thanks goes out to **Norma Robinson** who served as our council president for this past year (2009) and to **Clyde Borrell** who served as Vice President. Their leadership moved our church forward over the past year. We also need to say a special word of thanks and congratulations to **Clyde Borrell** who was elected to be President of the congregation for the year of 2010, and to **Dick White** who was elected Vice President. These officers along with our entire council are to be thanked and commended for their sacrifice and service to the Church of Christ at St. Mark. Also a very special thanks to **Carl Bowman** who served as our Financial Secretary. We thank our treasurer, **Art Schehl** who has served in this position for several years. We don't want to forget our Endowment Treasurer, **Helen Mendel** who has been faithful for many years.

NEED MONTHLY SPONSORS FOR "CROSSINGS"



Want to Help Out with the printing cost of St. Mark's "Crossings"? You have the opportunity to dedicate a printing of a monthly issue "In Memory Of" someone special, or as a special gift "In Honor of Someone or Special Anniversary". Donation of \$100.00 is asked. **Please call the office if you are interested in sponsoring a monthly issue of our newsletter (242-3466).** At the time of this writing—the months of 2010 that are still available are: **February, May, August, September, and December.**

SUNDAY SCHOOL SCHEDULE FOR JANUARY 2010

Kid's Worship Class

Jan. 3 The Wise Men

Jan. 10 Jesus in the Temple

Jan. 17 Jesus is Baptized
Books?

Jan. 24 Jesus Makes a Choice

Jan. 31 Jesus in the Synagogue

Grapple

Did God Really Write the Bible?

How Do I Know if the Bible is True?

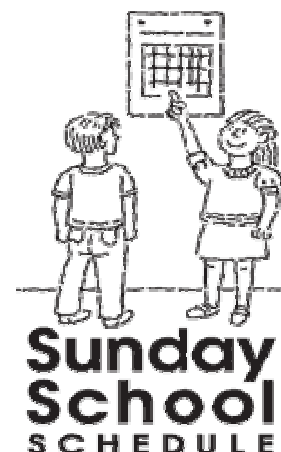
How is the Bible Different From Other

Why Should the Bible Matter to Me?

Why Did God Create Me?

January's B.I.G. Theme: Jesus is God's Son

January's Bible Verse: "And Jesus increased in wisdom and in years, and in divine and human favor." Luke 2:52



BIRTHDAY PARTY FOR JESUS

In spite of ice and snow we finally celebrated our birthday party for our Savior on December 20, 2009. A goodly crowd joined the festivities as we shared a meal and the Sunday School lightened our spirits with the delightful comedy, "Santa Gives Back Christmas." Starring in our play were: Alexis Bell, Kayla Bell, Mya Bogers, Stan Borrell, Emily Braun, Lindsey Braun, Devin Glass, Gavin Glass, Jaycee Glass, Burke Glover, Corinne Heil, Jacqueline Heil, Marianne Lapp, Mason Lapp, Danny Minch, Ashley Ondrik, Emilee Ondrik, and Ryle White. We sang Christmas carols as Leslie Garrett played for us and we collected baby items for local babies in need. As befits a birthday party we concluded with "Happy Birthday, Jesus" and delicious cake decorated for us by Whitney Burriss. The adorable costumes were provided by Doris Trabert and Jill Vessels who created the set design along with Ashley Ondrik who created the reindeer's stable. Everyone received an ornament made by Doris Trabert and the Sunday School received their gifts from the Church.



JANUARY BIRTHDAYS

- 1— Ola Marshall, Luke Clune, Noah Clune
 3— Daniel Cheatham
 4—Victoria Ellison, Samantha Krumski,
 Brent Nelson, Kalee Robinson
 5—Ruthedda Knollinger, Daniel Minch,
 James Taylor
 6—Burke Glover, Dorothy Pyle
 7—Tim Braden
 8—Phyllis Mullavey, Natalie Naegele
 9—Sherri Schafer, Albert Wyatt
 10—Logan Marshall, Deborah Reineke
 11—Jill Walton
 13—Whitney Naumann
 14—Don Braden, Kate Freed
 15—Rob Davis, Aiden Davis, Edith Folmar,
 16—Jennifer Aubrey, Frances Braden, Dan Lewis
 Florence Oliver
 17—Mark Naumann, Amy Serig
 18—Norma Farrow, Art McKenzie
 19—Cheryl Peyton
 20—Eric Huls, Kyleigh Minch
 21—Michael Hughes, Beverly Knollinger
 22—Michael Hlad, Craig Peyton
 23—Mary Doman, Howard Watkins
 24—Bill Braden

- 26—John Rose
 28—Hoya Clemons
 29—Samara Joyner, Michael Porter
 30—Kathryn Sacco
 31—Melissa Braun, Ann Martin,
 Jared Zambito

JANUARY WEDDING ANNIVERSARIES

- 1—Jerry & Doris Trabert
 12—Charles & Elizabeth Jonas
 28—Otto & Marion Zwicker

OFFICIAL ACTS

- Funerals— Peter A. Eberle
 Margaret R. Weishaupt
 John W. Toepfer, Jr.
 Weddings—Sarah Lashuk &
 Christopher Hurdzan

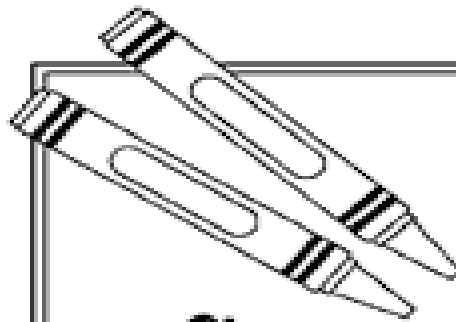
MEMORIALS PLACED

- Gary & Beverly Knollinger in memory of
 James Lapp

JANUARY ALTAR FLOWERS

- 3—Ruth Miller & Eberle Family in memory of Ralph Miller
 Eleanor Nickerson in memory of husband, Robert (died 1/5)
 Jim & Peggy Glaser in honor of granddaughter, Ellie's 2nd birthday 1/9)
- 10—Wilma Rentschler in honor of children's birthdays, Louise, Carolyn &
 Frederick, Jr.
- 17— OPEN
- 24—Carolyn Nortemann in memory of mother, Lillian at her birth date 1/27
 Ken, Ellen, & Laura Kriner, Devin, Gavin & Jacee Glass in memory of Jeremy Glass
- 31—Betty Schafer in memory of husband, Roy at their Wedding Anniversary date
 Otto & Marion Zwicker to the glory of God and in honor of their Wedding Anniversary

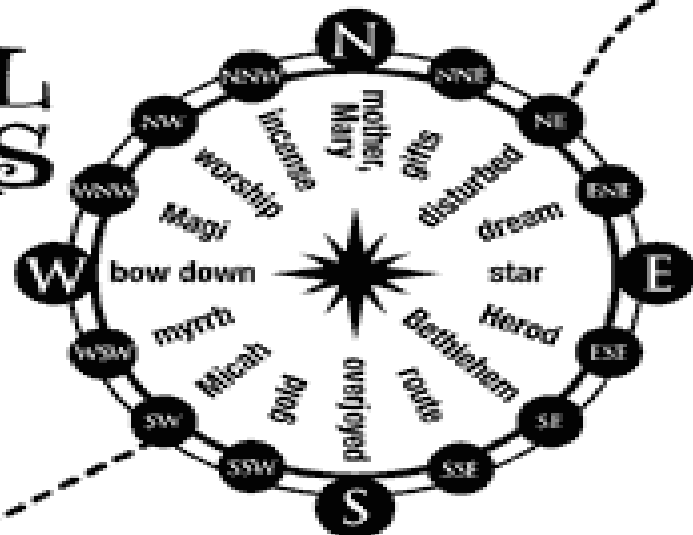




Just for KIDS

SPECIAL VISITORS

Matthew 2 tells of visitors who traveled to worship Jesus. Read that story, or see if you can answer the questions below from memory. Use the compass guide to fill in the correct answers.



1. Who was king during the time of Jesus' birth? _____ (ESE)
2. Who came from the East to worship the one born king of the Jews? _____ (WNW)
3. How was King Herod feeling about Jesus' birth? _____ (NE)
4. Which prophet did the chief priests and teachers of the law quote when King Herod asked where the Christ would be born? _____ (SW)
5. In what city would Christ be born? _____ (SE)
6. King Herod lied to the wise men and told them to search and report back so he, too, could do what to Christ? _____ (NW)
7. What did the Magi see in the east and follow to find Jesus? _____ (E)
8. When the star stopped, how did the Magi feel? _____ (S)
9. Who else did the Magi see with Jesus? His _____ (N)
10. What did the Magi do first before they worshiped the child? _____ (W)
11. Name the three treasures the Magi brought for Jesus. _____ (SSW)
 _____ (NNW) _____ (WSW)
12. These three treasures were all brought for Jesus as ... _____ (NNE)
13. What warned the Magi not to return to Herod? A _____ (ENE)
14. The Magi had to return to their country by another _____ (SSE)

Answers: 1. Herod, 2. Magi, 3. disturbed, 4. Micah, 5. Bethlehem, 6. worship, 7. star, 8. overjoyed, 9. mother, Mary, 10. bow down, 11. gold, incense, myrrh, 12. gifts, 13. dream, 14. route

YWCA FAMILY VIOLENCE PREVENTION PROGRAM

My name is Pat Franklin. I have been a member of Edgwood Ev. Lutheran Church for 27 years. I just completed 10 years of serving the ELCA's Evangelical Outreach and Congregational Mission unit under Director for Evangelical Mission, Helen Harms. My position was eliminated due to organizational restructuring and budget downsizing through our national Church offices in Chicago. Previously, I was the church secretary at St. James Lutheran Church in downtown Wheeling.

I recently began a part-time position with the Wheeling YWCA Family Violence Prevention Program. If you thought the YWCA was a place where women go to exercise, you are like me— way behind in the life and times of this amazing place. It is apparent when you enter the building that eliminating racism and empowering women are the main goals of this organization in the 21st century. It provides a home for homeless women and a safe shelter for abused women and children. It sustains their greatest needs with immediate food, shelter, clothing, and companionship in their journey away from violence toward independence. There are a multitude of on-going support groups, Life Skills classes, and other guidance provided through this organization as well as a wonderful Y Not Repeat Boutique which provides professional clothing for those entering/re-entering the work-force.

My title is Employability Skills Advocate which means I encourage clients in the shelter to complete a G.E.D. or vocational training, learn basic computer skills to fill out a resume, train them in how to conduct themselves in job interviews, select appropriate clothing for those interviews, transport them to appropriate child care setting once they have a job. How can you help? There are so many ways:

If you know of any job openings at area businesses, please give me a call!

The shelter needs volunteers to help operate the Y Not Repeat Boutique. This involves sorting donated clothing, placing items out in the Boutique, and receiving money when there is a minimal charge for outside clients.

If you have a Social Ministry Committee of Women's Group looking for a one-time or on-going project in 2010—the FVPP shelter is always in need of the following items which are free to our residents:

- 1) Non-perishable food items for the Food Pantry
- 2) Professional clothing (especially larger sizes) for the Y Not Repeat Boutique & new socks, pajamas/ robes/slippers for shelter residents. Clothing new socks new underwear for children (all ages). These items are kept in the Shelter Clothing Closet and dispersed as needed.
- 3) Clean toys, books and craft supplies for children's activities
- 4) Toiletries, cleaning supplies & laundry detergent;
- 5) New bed pillows/blankets/bedspreads;
- 6) Gift cards for Wal-Mart, etc. to purchase necessary items not available at the shelter;
- 7) Gas gift cards for the 2 newly-acquired YWCA FVPP vehicles which will transport residents to appointments.

You can contact me via e-mail: pfranklin@wcawheeling.org or by calling the YWCA Family Violence Prevention Program Office: 304-232-2748 Ext. 22 with any questions. Thank you so much for any assistance you can provide to this shelter in the coming year.

Sincerely, Pat Franklin

THIS 'N THAT

Thank you for the scholarship, it helped me for buying books. College is going great and I'm on the dance team again. You're all in my prayers. God Bless, - *Ashlee Robinson*

THANK YOU to **Cheryl & Craig Peyton** for their hard work regarding the Christmas Baskets. Thrivent Financial for Lutherans contributed \$400 towards this effort.

THANKS for the generous gift from **Helen Petri** to complete the first part of our security and buzzer system for our doors. This gift by Helen was given in memory of her late husband Joe Petri, Sr. Installation of this equipment was handled by **Jim Glaser**, and we thank him for the donation of his time and talent for this project.



IS YOUR GIVING CURRENT? Our anticipated "Giving" through November 30, 2009 was \$155,833. "Giving" received to this date totals \$160,009. Everyone is to be commended for their generous giving. Total income-to-date is \$214,398 while total spending-to-date is \$224,593 **resulting in deficit spending to date of \$10,195.** The November church financial statement is posted on the first floor bulletin board for those interested.

Recently pictured in the newspaper was **Bill Dumas**, a Marine Corps veteran, who was attending an "Operation Free" event.

THANK YOU to **Cheryl & Craig Peyton** for their hard work regarding the Christmas Baskets. Thrivent Financial for Lutherans contributed \$400 towards this effort.

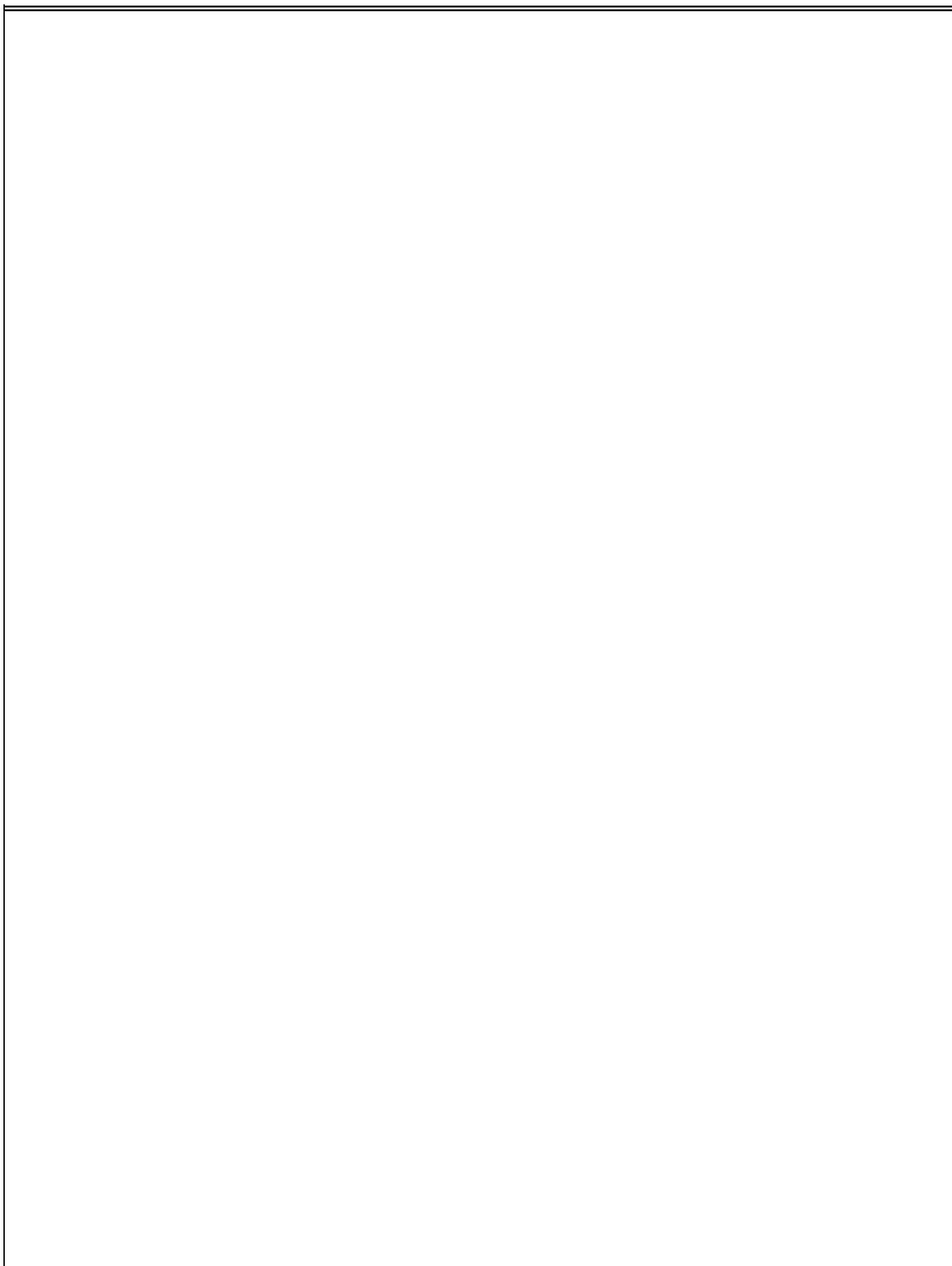
Recently pictured in the newspaper was **Carly Slater**, a WPHS girl's basketball team member, playing against River High. Carly scored 15 points in a winning effort!

Dick Strickler was recently elected Financial Director of the OH, WV, PA Tri State Chapter of Thrivent Financial for Lutherans. St. Mark's congregational coordinators continue to be **Merv Evans, Margaret Ragni** and **Carolyn Rose**.

Recently pictured in the newspaper were **Brian Felici** and **John Freed** who were attending Ohio Valley Medical Center's Holiday Gala.

In December the Wheeling Park High School Music Department held their annual "**Festival of Sound**" concert at Wesbanco Arena. St. Mark youth participating included Viola—**Hannah Hlad** and Cello—**Kristen Slater. Leslie & Pat Garrett** were involved in its planning and direction. Congratulations to all for their excellent performance!!

Recently pictured in the newspaper was **Jacqueline Heil**, a first-grader at Steenrod Elementary School, who was involved in their annual holiday workshop involving crafts.



St. Mark Evangelical Lutheran Church
141 Kruger Street, Elm Grove
Wheeling, WV. 26003

**NONPROFIT ORG
U S POSTAGE
PAID
WHEELING WV
PERMIT NO. 44**

ADDRESS SERVICE REQUESTED



JANUARY 2010

The printing & donation of materials for this newsletter
printing was partially funded by

WILMA RENTSCHLER

**In thankfulness for her children and
in memory of husband, Frederick and
Parents, Mr. & Mrs. William Schafer**